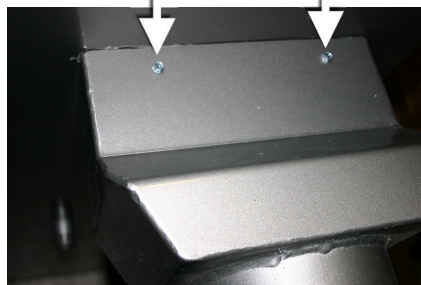


**FLUE CONNECTION  
AT THE REAR OF  
THE BOILER**



**FLUE ADAPTOR FITTED.  
NOTICE THE ADDED  
FIXING SCREWS**



**FLUE ADAPTOR  
FITTED AND SEALED  
WITH FIRE ROPE**



**TEE ADAPTOR FITTED  
AND SEALED.  
CONDENSATION CUP  
& ACCESS POINT AT  
THE BOTTOM**



**FLUE COMPLETED  
WALL SUPPORT TO CARRY  
THE WEIGHT OF THE FLUE**



### INSTALLATION NOTES

Flue adaptor internal diameter is 160mm, external 168mm.  
A 150mm outer diameter adaptor is also available.

The flue adaptor fixing screws are recommended. This will aid the installation and helps to carry the weight of the adaptor. These screws must be drilled in & fitted by the installer.

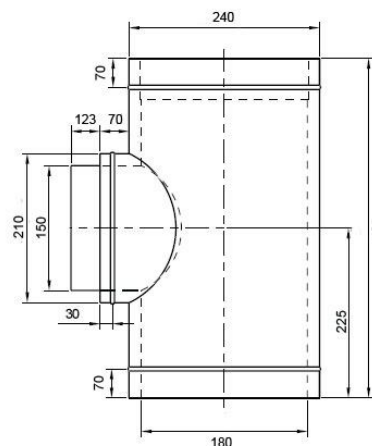
Always use a flue rated for wood / coal burning.

It is recommended that fire rope is used to seal the connections between the boiler-flue adaptor & flue adaptor-tee piece. A length of 80cm is needed for each of the connections.

A minimum recommended flue height is 4.5 M, however local conditions might require a longer or allow a shorter flue.

The flue must not have additional horizontal run (balanced flue) after it leaves the boiler. This will compromise the draw.

A good draught on the flue and the replacement air in the boiler room must be ensured before using the boiler. A smoke test will verify this.



**Hotline  
Chimneys**

**JASPI UK** [www.jaspi.co.uk](http://www.jaspi.co.uk)

Jaspi Multifuel & YPV40 boilers  
Flue

Drawn	Version	Date	Drawing Ref
SS		01.06.2011	Generic